

**SECTIONAL VIEW**

**FRONT VIEW**

- Reference IS/IEC Standard as follows :
- 1 - FLAMEPROOF (Ex d) PROTECTION - IIA/IB, IS/IEC 60079-1 (2014)
  - TEMPERATURE CLASS - T6
  - 2 - INGRESS (IP) PROTECTION - IP-66, IS/IEC 60529 (2001). (Reaffirmed 2014)

**Standard Specification :**

- 1 - MATERIAL - CAST ALUMINIUM ALLOY
- 2 - FINISH - INSIDE & OUTSIDE LIGHT GREY EPOXY POWDER COATING SHADE No. 631 AS PER IS-5
- 3 - EARTHING - 1 No. INSIDE & 2 Nos. OUTSIDE M6 SIZE S.S./BRASS SCREWS WITH 2 Nos. PLAIN WASHER
- 4 - HARDWARE - STAINLESS STEEL
- 5 - GASKET - 'O' RING NEOPRENE RUBBER GASKET
- 6 - MOUNTING ARRGT. - AS SHOWN IN DRG.

**Material / Components Specification :**

- 1 - S.S. NAME CUM WARNING PLATE (WITH DESCRIPTION TITLE, CIMFR, PESO, SR. NO., GAS GROUP, RATING, BIS MARKING, WARNING STATUS, etc...)
- 2 - INTERNAL SIZE OF ENCLOSURE (BODY+COVER) - ø100 x 60mm
- 3 - ELEMENT - 2 Nos. 10 Amp, 415V AC, 1NO+1NC CONTACT ELEMENT OF 'TEKING/VAISHNO' MAKE
- 4 - ACTUATOR - 1 No. GREEN COLOUR SPRING RETURN TYPE & 1 No. RED COLOUR MUSHROOM HEAD, PRESS & TURN TO 'STOP' & REVERSE TURN TO RELEASE TYPE ACTUATOR OF 'SUDHIR' MAKE (NECESSARY PAD LOCKING ARRGT. IN 'STOP' POSITION WITHOUT LOCK)
- 5 - CABLE ENTRIES - 2 Nos. M20 / 1/2" NPT / 3/4" ET EQUIVALENT CABLE ENTRIES FROM BOTTOM SIDE - REFER DRAWING
- 6 - CABLE GLAND - (Ex d) DOUBLE COMPRESSION TYPE CABLE GLAND OF 'SUDHIR' MAKE
- 7 - STOPPING PLUG - (Ex d) STOPPING PLUG OF 'SUDHIR' MAKE

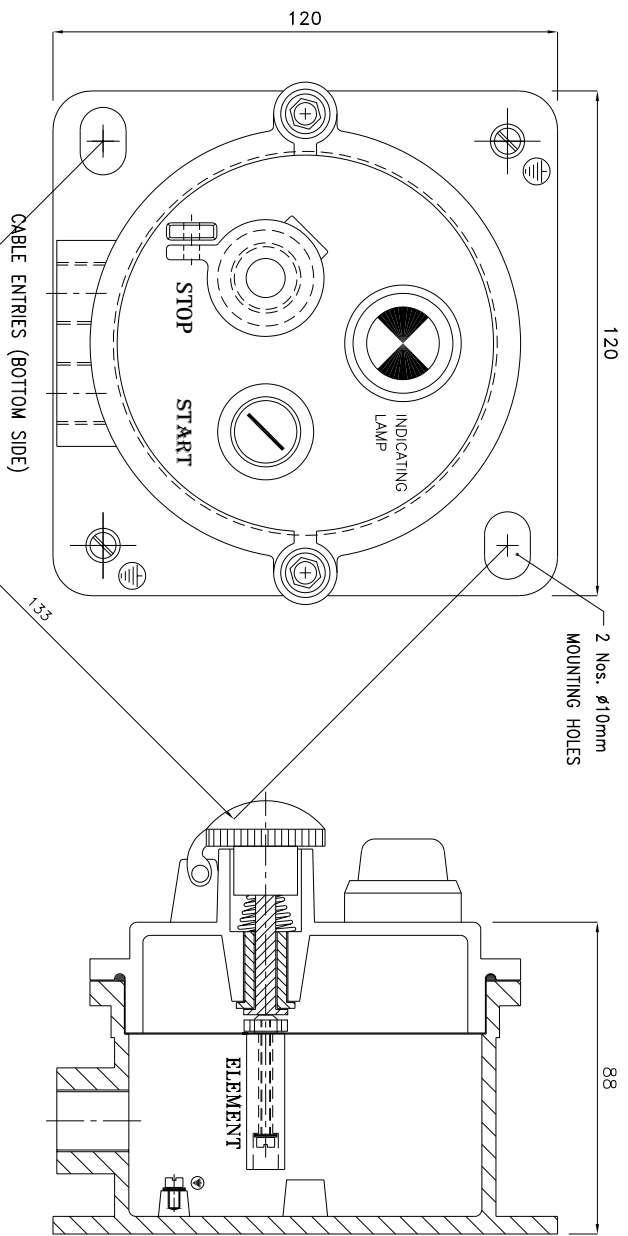
**Fitting OPTIONS :**

- 1) MATERIAL CONSTRUCTION : STAINLESS STEEL
- 2) VOLTAGE : 110V / 230V / 415V AC
- 3) CABLE GLAND & PLUG : BRASS/S.S./ALUMINIUM
- 4) PAINT SHADE : 632/355/7031/7032, etc... (As per Standard)
- 5) CANOPY : M.S. / G.I. / FRP
- 6) AMP. RATING : UPTO 32 Amp. (MAX.)

**NOTE :**

COMPONENT LAYOUT IS TENTATIVE RELOCATION OF PARTS & COMPONENTS IS POSSIBLE AT THE TIME OF ACTUAL MANUFACTURING.  
OVERALL DIMENSIONS ARE ±10mm

REV.	DATE	DESCRIPTION	DRN.	CHD.	APPD.	SCALE	CAT. No. <b>PBS/105</b>	MODEL No.: <b>PBS/105-1</b>	DRN. profill	CHKD. JASHW	QMR. CERT. No.	PESO No. :	BIS LICENCE No. :
Δ	.	.	.	.	.	1 OF 1					IN/CIMFR/TR22/R/H57	P538125/1	CM/L-000331365
Δ	.	.	.	.	.						Dt. 30/03/2022	Dt. 11/07/2022	



Fitting OPTIONS :

- 1) MATERIAL CONSTRUCTION : STAINLESS STEEL
- 2) VOLTAGE : 110V / 230V / 415V AC
- 3) CABLE GLAND & PLUG : BRASS/S.S./ALUMINIUM
- 4) PAINT SHADE : 632/355/7031/7032, etc... (As per Standard)
- 5) CANOPY : M.S. / G.I. / FRP
- 6) AMP. RATING : UP TO 32 Amp. (MAX.)

**SECTIONAL VIEW**

Reference IS/IEC Standard as follows :

- 1 - FLAMEPROOF (Ex d) PROTECTION - IIA/IB, IS/IEC 60079-1 (2014)
- TEMPERATURE CLASS - T6
- 2 - INGRESS (IP) PROTECTION - IP-66, IS/IEC 60529 (2001). (Reaffirmed 2014)

Standard Specification :

- 1 - MATERIAL - CAST ALUMINIUM ALLOY
- 2 - FINISH - INSIDE & OUTSIDE LIGHT GREY EPOXY POWDER COATING SHADE No. 631 AS PER IS-5
- 3 - EARTHING - 1 No. INSIDE & 2 Nos. OUTSIDE M6 SIZE S.S./BRASS SCREWS WITH 2 Nos. PLAIN WASHER
- 4 - HARDWARE - STAINLESS STEEL
- 5 - GASKET - 'O' RING NEOPRENE RUBBER GASKET
- 6 - MOUNTING ARRGT. - AS SHOWN IN DRG.

Material / Components Specification :

- 1 - S.S. NAME CUM WARNING PLATE (WITH DESCRIPTION TITLE, CIMFR, PESO, SR. NO., GAS GROUP, RATING, BIS MARKING, WARNING STATUS, etc...)
- 2 - INTERNAL SIZE OF ENCLOSURE (BODY+COVER) - ø100 x 60mm
- 3 - ELEMENT - 2 Nos. 10 Amp, 415V AC, 1NO+1NC CONTACT ELEMENT OF 'TEKNIC/VAISHNO' MAKE
- 4 - ACTUATOR - 1 No. GREEN COLOUR SPRING RETURN TYPE & 1 No. RED COLOUR MUSHROOM HEAD, PRESS & TURN TO 'STOP' & REVERSE TURN TO RELEASE TYPE ACTUATOR OF 'SUDHIR' MAKE (NECESSARY PAD LOCKING ARRGT. IN 'STOP' POSITION WITHOUT LOCK)
- 5 - INDICATING LAMP - 1 No. 24V/110V/240V AC/DC, LED TYPE INDICATING LAMP OF 'TEKNIC/VAISHNO' MAKE
- 6 - CABLE ENTRIES - 2 Nos. M20 / 1 1/2" NPT / 3/4" ET EQUIVALENT
- CABLE ENTRIES FROM BOTTOM SIDE - REFER DRAWING
- 7 - CABLE GLAND - (Ex d) DOUBLE COMPRESSION TYPE CABLE GLAND OF 'SUDHIR' MAKE
- 8 - STOPPING PLUG - (Ex d) STOPPING PLUG OF 'SUDHIR' MAKE

THIS DRAWING IS PROPERTY OF "SUDHIR SWITCHGEARS PVT. LTD." AND MUST BE RETURNED ON REQUEST IF IT IS SUBMITTED AS CONFIDENTIAL INFORMATION IN CONNECTION WITH ENQUIRY, TENDER, ORDER, OR CONTRACTS IT IS NOT TO BE USED FOR ANY OTHER PURPOSE OR ORDER NOR MAY IT RE-COPIED OR LENT WITHOUT OUR AUTHORITY IN WRITING.

<b>NOTE :</b>		CAT. No.	PBS/105
COMPONENT LAYOUT IS TENTATIVE RELOCATION OF PARTS & COMPONENTS IS POSSIBLE AT THE TIME OF ACTUAL MANUFACTURING.		MODEL No.:	PBS/105-2
OVERALL DIMENSIONS ARE ±10mm		DRN.	profili
CHD.	JASNAH	APPD.	.
SHEET	1 OF 1	SCALE	N. T. S. REV.-0

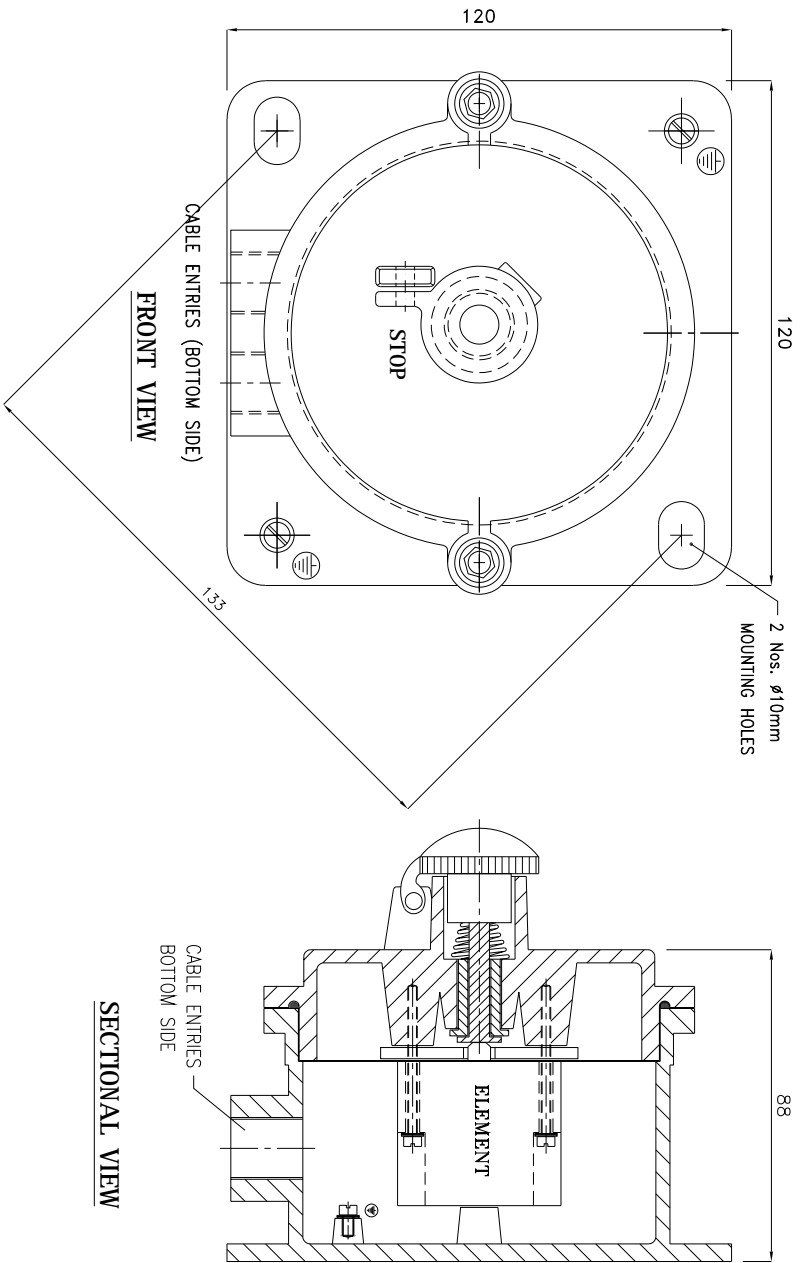
<b>REVISIONS</b>		DATE	DESCRIPTION	DRN.	CHD.	APPD.	SCALE
Δ							
Δ							
Δ							

**SUDHIR SWITCHGEARS PVT. LTD.**  
130, MULBER SAMACHER MARG, MULBER - 400 023

TITLE : **FLAMEPROOF - WEATHERPROOF ENCLOSURE FOR PUSH BUTTON STATION**

QMR. CERT. No. : IN/CIMFR/TR22/R/H557  
Dt. 30/03/2022  
PESO No. : P538125/1  
Dt. 11/07/2022  
BIS LICENCE No. : CM/L-000331365





- Fitting OPTIONS :**
- 1) MATERIAL CONSTRUCTION : STAINLESS STEEL
  - 2) VOLTAGE : 110V / 230V / 415V AC
  - 3) CABLE GLAND & PLUG : BRASS/S.S./ALUMINIUM
  - 4) PAINT SHADE : 632/355/7031/7032, etc... (As per Standard)
  - 5) CANOPY : M.S. / G.I. / FRP
  - 6) AMP. RATING : UPTO 32 Amp. (MAX.)

**NOTE :**  
 COMPONENT LAYOUT IS TENTATIVE RELOCATION OF PARTS & COMPONENTS IS POSSIBLE AT THE TIME OF ACTUAL MANUFACTURING.  
 OVERALL DIMENSIONS ARE ±10mm

REV.	DATE	DESCRIPTION	DRN.	CHD.	APPD.	SCALE	DRN.	CHD.	APPD.	SCALE	REV.
Δ	.	.	.	.	.	.	.	.	.	.	.
Δ	.	.	.	.	.	.	.	.	.	.	.
Δ	.	.	.	.	.	.	.	.	.	.	.

- Reference IS/IEC Standard as follows :**
- 1 - FLAMEPROOF (Ex d) PROTECTION - IIA/IB, IS/IEC 60079-1 (2014)
  - TEMPERATURE CLASS - T6
  - 2 - INGRESS (IP) PROTECTION - IP-66, IS/IEC 60529 (2001). (Reaffirmed 2014)
- Standard Specification :**
- 1 - MATERIAL - CAST ALUMINIUM ALLOY
  - 2 - FINISH - INSIDE & OUTSIDE LIGHT GREY EPOXY POWDER COATING SHADE No. 631 AS PER IS-5
  - 3 - EARTHING - 1 No. INSIDE & 2 Nos. OUTSIDE M6 SIZE S.S./BRASS SCREWS WITH 2 Nos. PLAIN WASHER
  - 4 - HARDWARE - STAINLESS STEEL
  - 5 - GASKET - 'O' RING NEOPRENE RUBBER GASKET
  - 6 - MOUNTING ARRGT. - AS SHOWN IN DRG.

- Material / Components Specification :**
- 1 - S.S. NAME CUM WARNING PLATE (WITH DESCRIPTION TITLE, CIMFR, PESO, SR. NO., GAS GROUP, RATING, BIS MARKING, WARNING STATUS, etc...)
  - 2 - INTERNAL SIZE OF ENCLOSURE (BODY+COVER) - ø100 x 60mm
  - 3 - ELEMENT - 1 No. 10 Amp., 415V AC, 1NO+1NC CONTACT ELEMENT OF 'TEKNIK/VANSHNO' MAKE
  - 4 - ACTUATOR - 1 No. RED COLOUR MUSHROOM HEAD, PRESS & TURN TO 'STOP' & REVERSE TURN TO RELEASE TYPE ACTUATOR OF 'SUDHIR' MAKE (NECESSARY PAD LOCKING ARRGT. IN 'STOP' POSITION WITHOUT LOCK)
  - 5 - CABLE ENTRIES - 2 Nos. M20 / 1/2" NPT / 3/4" ET EQUIVALENT CABLE ENTRIES FROM BOTTOM SIDE - REFER DRAWING
  - 6 - CABLE GLAND - (Ex d) DOUBLE COMPRESSION TYPE CABLE GLAND OF 'SUDHIR' MAKE
  - 7 - STOPPING PLUG - (Ex d) STOPPING PLUG OF 'SUDHIR' MAKE

THIS DRAWING IS PROPERTY OF "SUDHIR SWITCHGEARS PVT. LTD." AND MUST BE RETURNED ON REQUEST IF IT IS SUBMITTED AS CONFIDENTIAL INFORMATION IN CONNECTION WITH ENQUIRY, TENDER, ORDER, OR CONTRACTS IT IS NOT TO BE USED FOR ANY OTHER PURPOSE OR ORDER NOR MAY IT RE-COPIED OR LENT WITHOUT OUR AUTHORITY IN WRITING.

**SUDHIR SWITCHGEARS PVT. LTD.**  
 130, MALHA SAMACHAR MARG, MALHA - 400 023

TITLE : **FLAMEPROOF - WEATHERPROOF ENCLOSURE FOR PUSH BUTTON STATION**

DR. CERT. No. : **IN/CIMFR/TR22/R/H557**  
 Dt. 30/03/2022  
 PESO No. : **P538125/1**  
 Dt. 11/07/2022  
 BIS LICENCE No. : **CM/L-000331365**